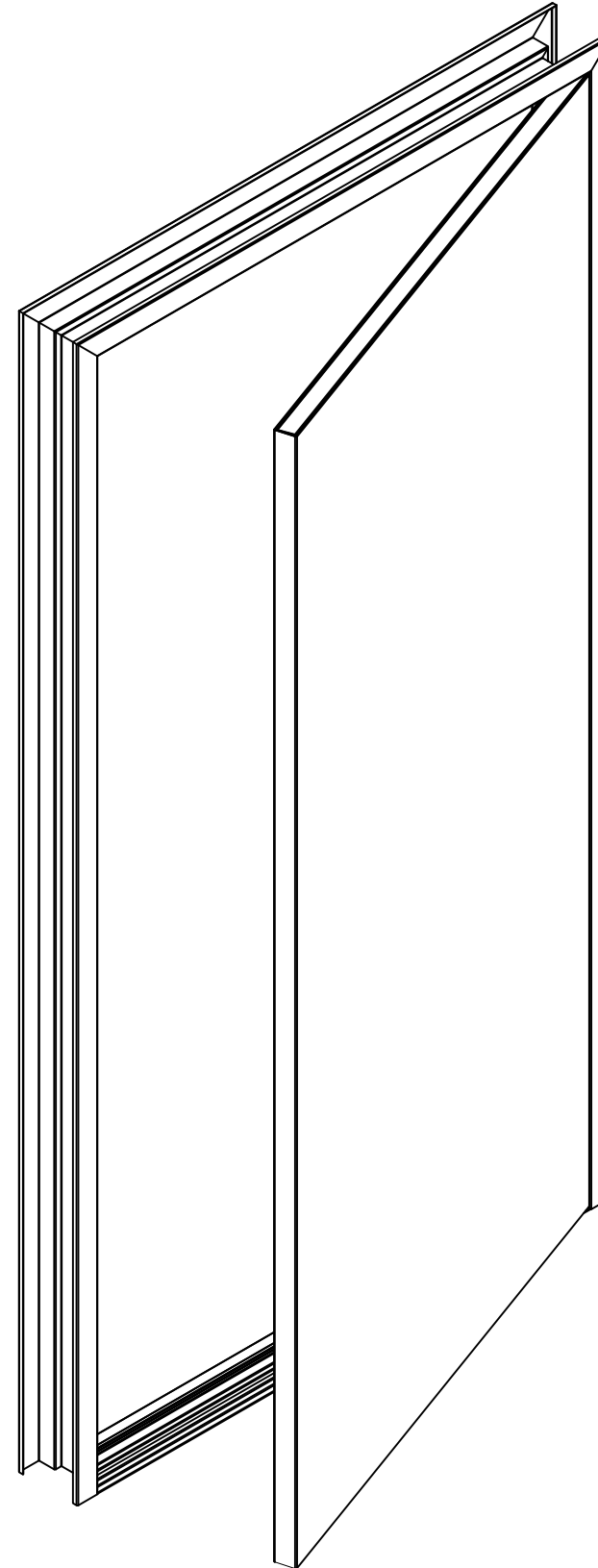


# CECO DOOR FLUSH SINGLE DOORS

PRODUCT MEETS REQUIREMENTS OF THE HIGH VELOCITY HURRICANE ZONE (HVHZ).  
LARGE MISSILE IMPACT (LMI) - LEVEL "E"

## INSTRUCTIONS FOR USING THIS APPROVAL

- STEP 1:** USE THE DOOR ELEVATIONS PROVIDED ON SHEET 2 TO DETERMINE THE APPLICABLE ASSEMBLY NUMBER
- STEP 2:** MOVE TO THE CHART BELOW THE DOOR ELEVATIONS, ALSO ON SHEET 2, AND LOCATE YOUR ASSEMBLY NUMBER. BY SCANNING HORIZONTALLY THROUGH THE SAME ROW OF YOUR ASSEMBLY NUMBER, YOU WILL BE ABLE TO DETERMINE THE APPROVED DOOR SERIES, MIN. DOOR GAUGE, MAX. DESIGN PRESSURE, MAX DOOR OPENING, SWINGING OPTIONS, AND LATCHING HARDWARE FOR PANELS.
- STEP 3:** USE SHEET 3 TO DETERMINE YOUR FRAMING PROFILE AND FRAMING CONSTRUCTION OPTIONS
- STEP 4:** USE THE TABLE(S) ON SHEET 4 TO DETERMINE THE ANCHOR TYPE AND SPACING, BASED ON YOUR PRESSURE AND SUBSTRATE CRITERIA
- STEP 5:** USE THE DETAILS PROVIDED ON SHEET 5 AND THE ADDITIONAL WEATHERSTRIPPING NOTES ON SHEET 6 TO DETERMINE YOUR WEATHERSTRIPPING OPTIONS



### SHEET INDEX

SHEET #	DESCRIPTION
1	COVER SHEET
2	ASSEMBLY OPTIONS
3	DOOR FRAME OPTIONS
4	DOOR FRAME ANCHORING INFORMATION
5	WATER INFILTRATION DOOR FRAME WEATHER STRIPPING INFORMATION
6	MANUFACTURERS' NOTES

Experience a safer  
and more open world

**CECO DOOR PRODUCTS**  
DIV OF ASSA ABLOY DOOR GROUP LLC  
9159 TELECOM DRIVE  
MILAN, TN 38358

COMMERCIAL STEEL EXTERIOR DOOR ASSEMBLIES  
FLUSH SINGLE DOORS  
FBC EIGHTH EDITION (2023) FLORIDA PRODUCT APPROVAL #32083.2

REV	DESCRIPTION	DRWN	CHKD	DATE
0	ORIGINAL ISSUE	PM	DC	03/09/20
1	UPDATE TO FBC 8TH ED	PM	LT	12/19/23

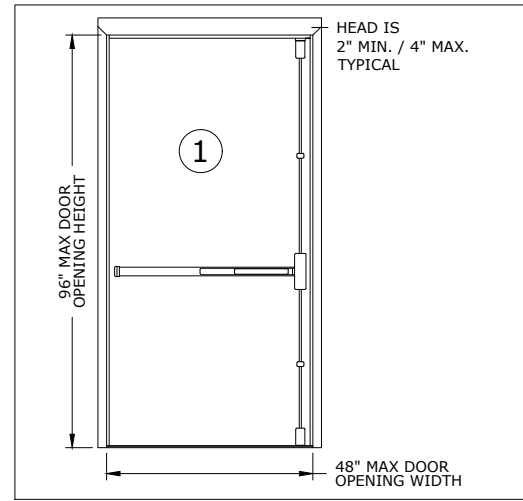
SCALE: NTS UNLESS NOTED  
DWG #: RD1528  
SHEET: 1 OF 6

THE INFORMATION CONTAINED IN THIS DRAWING IS THE SOLE PROPERTY OF CECO DOOR PRODUCTS. ANY REPRODUCTION IN PART OR AS A WHOLE WITHOUT THE WRITTEN PERMISSION OF CECO DOOR PRODUCTS IS PROHIBITED.

# CECO DOOR FLUSH SINGLE DOORS

PRODUCTS ILLUSTRATED IN THIS DOCUMENT ARE QUALIFIED FOR LARGE AND SMALL MISSILE IMPACT. LARGE MISSILE IMPACT IS 9 LB 2 X 4 AT 80 FEET PER SECOND OR 895 FT-LBS. (MISSILE LEVEL E)  
 PRODUCT MEETS REQUIREMENTS OF THE HIGH VELOCITY HURRICANE ZONE.

## SURFACE VERTICAL ROD EXIT DEVICE



ASSEMBLY 1	
Design Pressure Where Water Infiltration is NOT Required	Design Pressure Where Water Infiltration is IS Required
±150 PSF	±50 PSF

Assembly	Door Series	Minimum Door Gauge	Maximum Design Pressure (psf)		Maximum Door Opening (inches)		Door Swing	Latching Hardware Description		
			Positive	Negative	Width	Height		Type	Brand	Model
1 <sup>1</sup>	Legion, Medallion	14	150	150	48	96	Out-Swing	Surface Vertical Rod	Sargent	HC4-8700, HC4-PE8700 Series
Hinges	Butt	4-1/2" x 4-1/2" x 0.134" min. thick steel or stainless steel hinges, or any FBC approved hinges may be used. Any SDI member hinge locations may be used.								
	Continuous	Markar FM300, FM3500 continuous stainless steel; Pemko FMSLFHD, FMSLIHD continuous aluminum hinges may be used. Any FBC approved continuous hinge may be used.								
Auxiliary Hardware		1" diameter preparations for door position switches, door position switches that fit in a cutout measuring 1.25" x 4.875", and Securitron CEPT, EPT, EPTL, ICPT, and SEPT may be used. Maglocks may be used in addition to the hardware listed above. Viewers with 1" and smaller hole preparation may be used.								

<sup>1</sup> Assembly may not comply with various government domestic sourcing regulations, trade agreements, and acquisition policies. Please contact your ASSA ABLOY Government Solutions Representative for more information.



Experience a safer  
and more open world

## CECO DOOR PRODUCTS

DIV OF ASSA ABLOY DOOR GROUP LLC  
 9159 TELECOM DRIVE  
 MILAN, TN 38358

COMMERCIAL STEEL EXTERIOR DOOR ASSEMBLIES  
 FLUSH SINGLE DOORS  
 FBC EIGHTH EDITION (2023) FLORIDA PRODUCT APPROVAL #32083.2

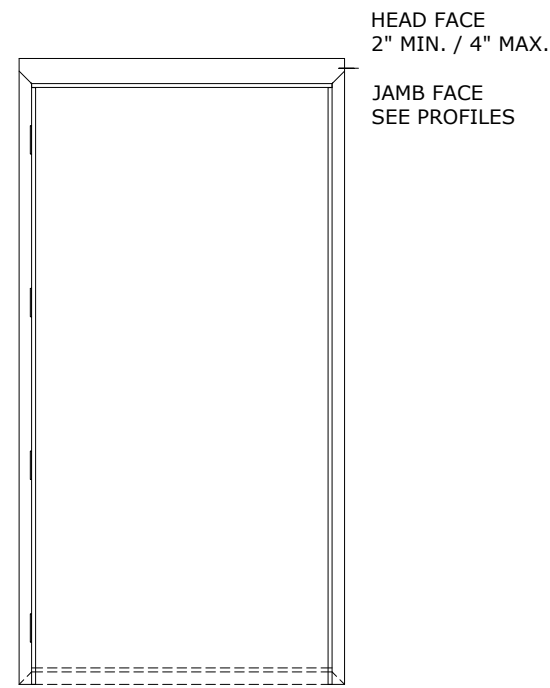
REV	DESCRIPTION	DRWN	CHKD	DATE
0	ORIGINAL ISSUE	PM	DC	03/09/20
1	UPDATE TO FBC 8TH ED	PM	LT	12/19/23
-	-	-	-	-
-	-	-	-	-
-	-	-	-	-
-	-	-	-	-
-	-	-	-	-
-	-	-	-	-
-	-	-	-	-

SCALE: NTS UNLESS NOTED  
 DWG #: RD1528  
 SHEET: 2 OF 6

THE INFORMATION CONTAINED IN THIS DRAWING IS THE SOLE PROPERTY OF CECO DOOR PRODUCTS. ANY REPRODUCTION IN PART OR AS A WHOLE WITHOUT THE WRITTEN PERMISSION OF CECO DOOR PRODUCTS IS PROHIBITED.

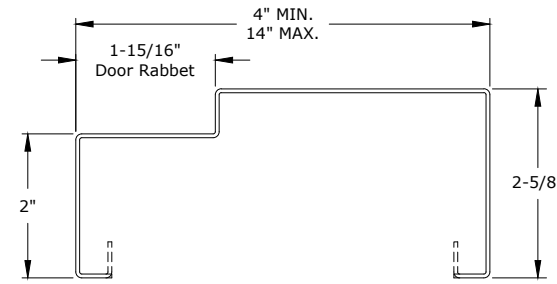
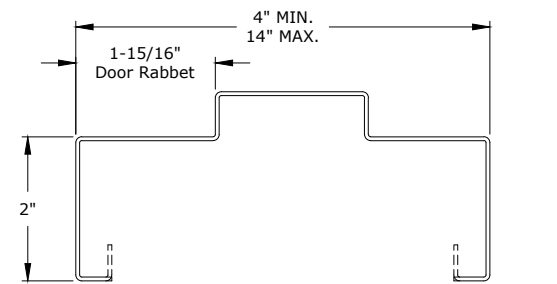
# CECO DOOR FLUSH SINGLE DOORS

PRODUCTS ILLUSTRATED IN THIS DOCUMENT ARE QUALIFIED FOR LARGE AND SMALL MISSILE IMPACT. LARGE MISSILE IMPACT IS 9 LB 2 X 4 AT 80 FEET PER SECOND OR 895 FT-LBS. (MISSILE LEVEL E)  
 PRODUCT MEETS REQUIREMENTS OF THE HIGH VELOCITY HURRICANE ZONE.

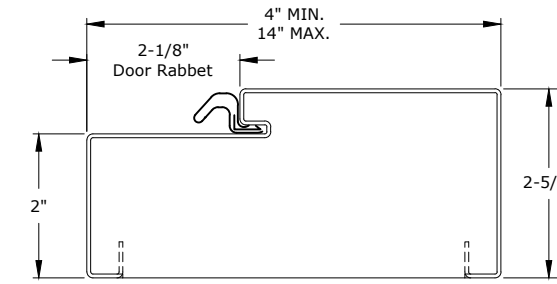
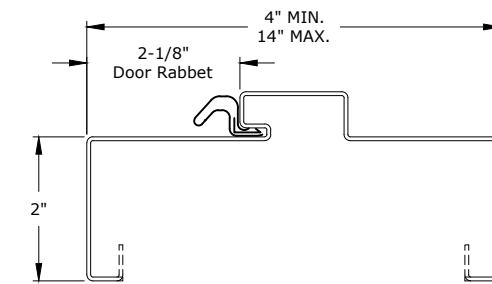


4080 ± 150 PSF MAX. DESIGN PRESSURE  
 4" MIN. / 14" MAX. DEPTH  
 KD CORNER 16 GA. MIN. / 14 GA. MAX.  
 WELDED CORNER 16 GA. MIN. / 12 GA. MAX.  
 FOUR SIDED DOOR FRAME WITH WELDED CORNERS ALSO PERMITTED

## FRAME PROFILES



CONVENTIONAL PROFILE



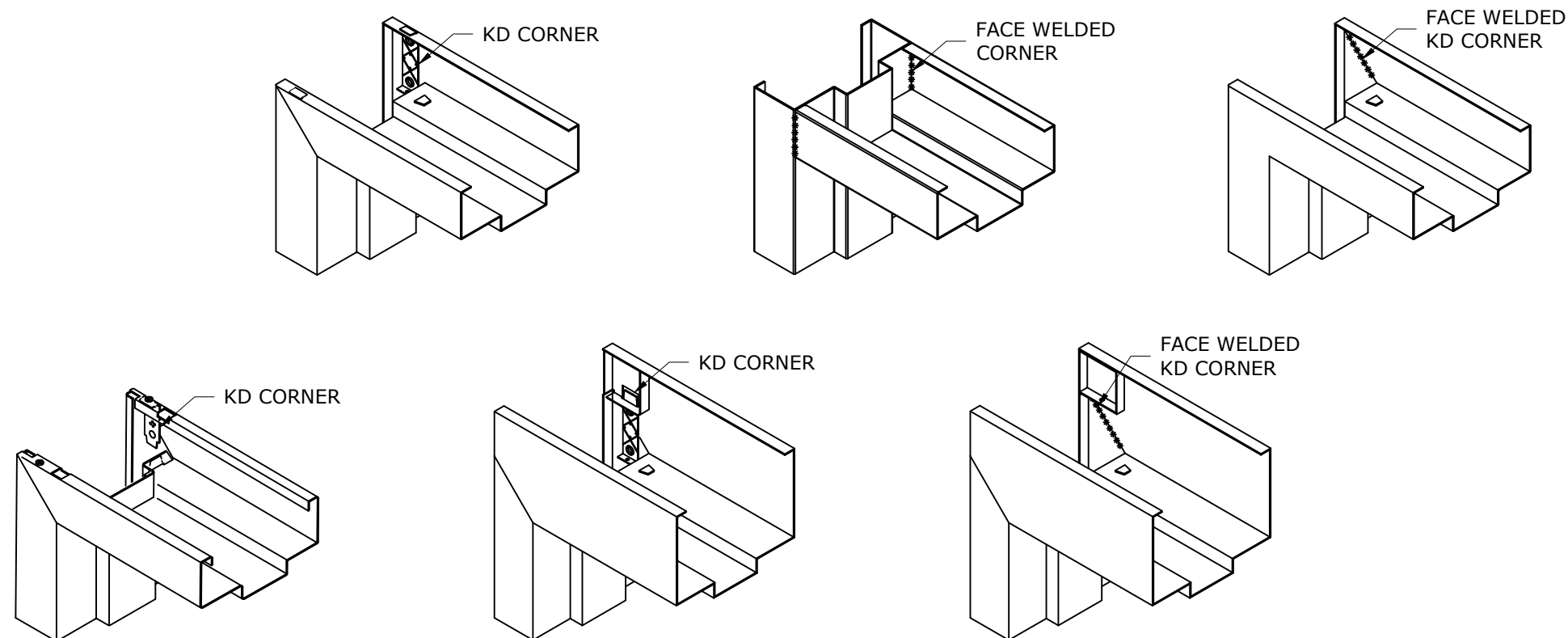
KERF PROFILE

Experience a safer  
and more open world

**CECO DOOR PRODUCTS**  
 DIV OF ASSA ABLOY DOOR GROUP LLC  
 9159 TELECOM DRIVE  
 MILAN, TN 38358

COMMERCIAL STEEL EXTERIOR DOOR ASSEMBLIES  
 FLUSH SINGLE DOORS  
 FBC EIGHTH EDITION (2023) FLORIDA PRODUCT APPROVAL #32083.2

## FRAME CONSTRUCTION OPTIONS



REV	DESCRIPTION	DRWN	CHKD	DATE
0	ORIGINAL ISSUE	PM	DC	03/09/20
1	UPDATE TO FBC 8TH ED	PM	LT	12/19/23
-		-	-	-
-		-	-	-
-		-	-	-
-		-	-	-
-		-	-	-
-		-	-	-

THE INFORMATION CONTAINED IN THIS DRAWING IS THE SOLE PROPERTY OF CECO DOOR PRODUCTS. ANY REPRODUCTION IN PART OR AS A WHOLE WITHOUT THE WRITTEN PERMISSION OF CECO DOOR PRODUCTS IS PROHIBITED.

SCALE: NTS UNLESS NOTED  
 DWG #: RD1528  
 SHEET: 3 OF 6

# CECO DOOR FLUSH SINGLE DOORS

PRODUCTS ILLUSTRATED IN THIS DOCUMENT ARE QUALIFIED FOR LARGE AND SMALL MISSILE IMPACT. LARGE MISSILE IMPACT IS 9 LB 2 X 4 AT 80 FEET PER SECOND OR 895 FT-LBS. (MISSILE LEVEL E)  
 PRODUCT MEETS REQUIREMENTS OF THE HIGH VELOCITY HURRICANE ZONE.



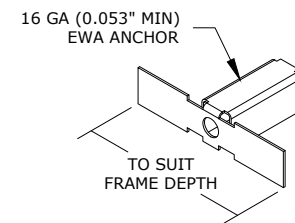
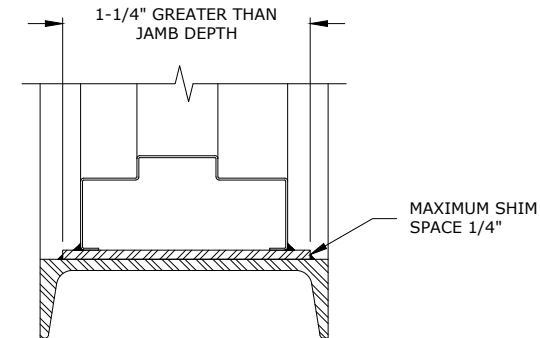
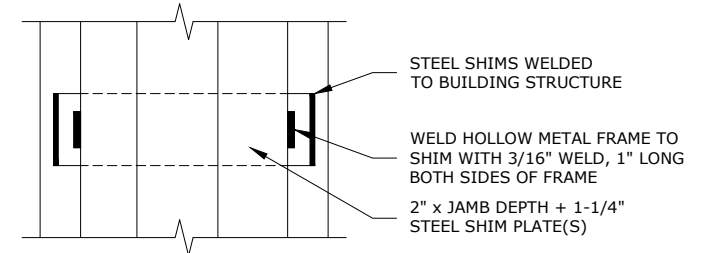
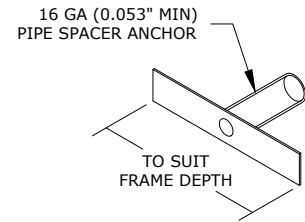
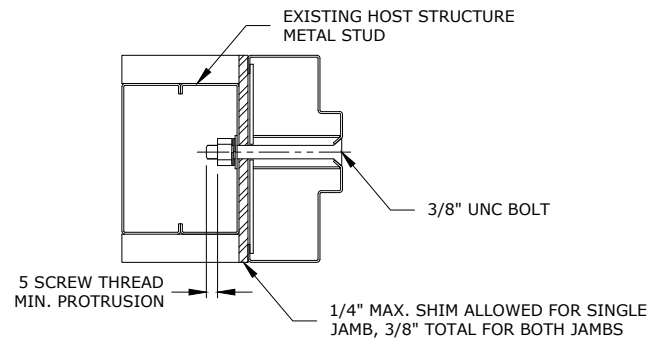
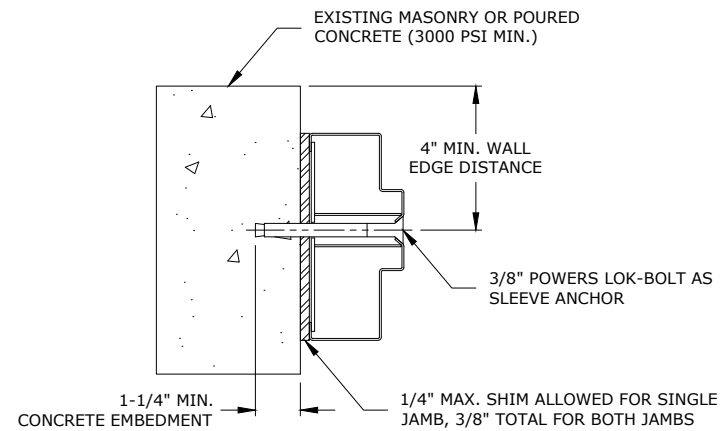
Experience a safer  
and more open world

**CECO DOOR PRODUCTS**

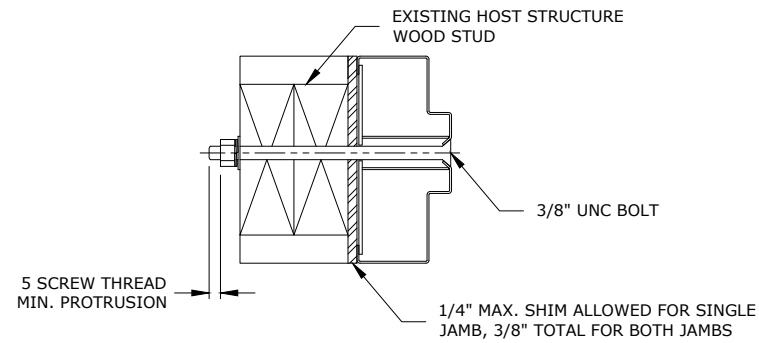
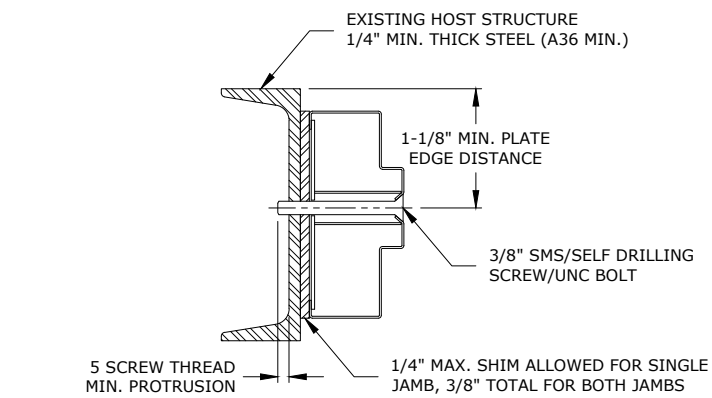
DIV OF ASSA ABLOY DOOR GROUP LLC  
9159 TELECOM DRIVE  
MILAN, TN 38358

COMMERCIAL STEEL EXTERIOR DOOR ASSEMBLIES  
FLUSH SINGLE DOORS

FBC EIGHTH EDITION (2023) FLORIDA PRODUCT APPROVAL #32083.2

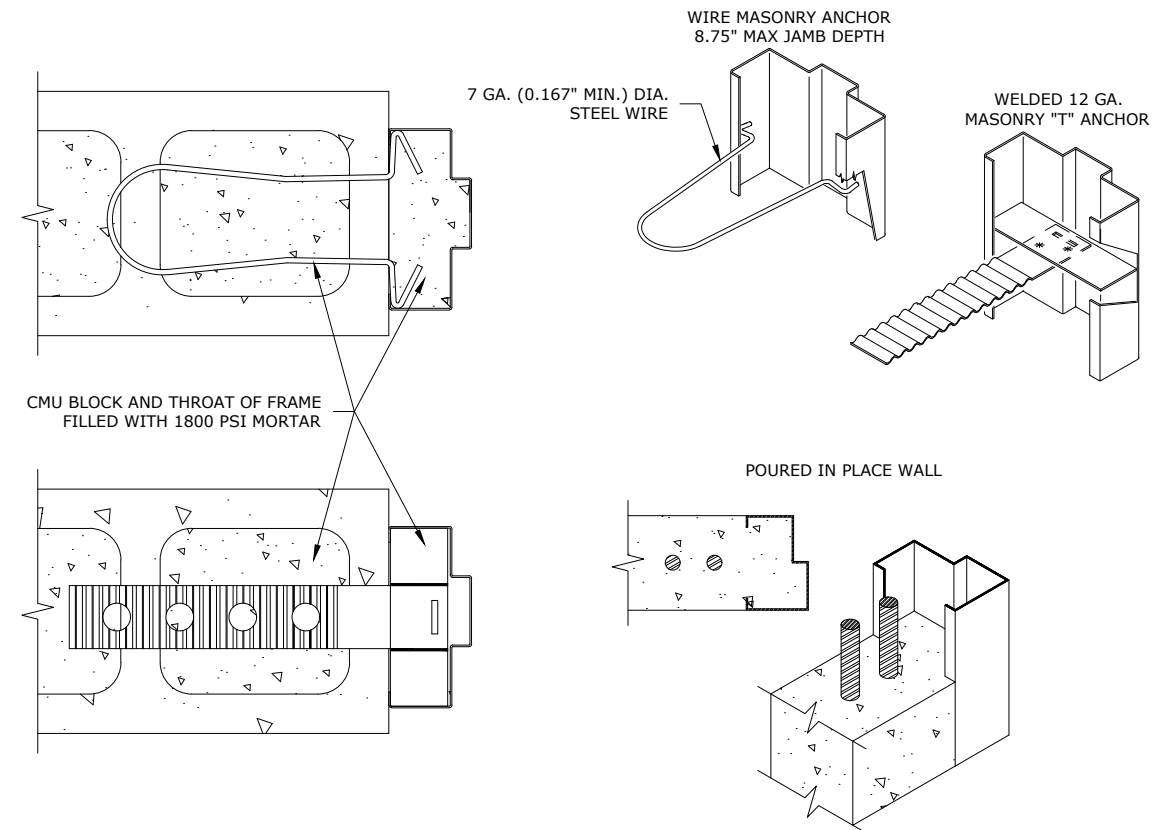


16 GA. MIN. - 1/4\"/>



Jamb Anchor Locations

Opening Size	Anchor Type	Anchor Spacing
Up to and including 3'0" x 7'0"	Existing Wall Anchors: Powers 3/8" Lok-Bolt AS Sleeve Anchor or 3/8" SMS/Self Drilling Screw/UNC Bolt	8" max. from sill, 4" max. from head rabbet, and 21" max. on center.
Greater than 3'0" x 7'0" and up to and including 4'0" x 8'0"	Existing Wall Anchors: Powers 3/8" Lok-Bolt AS Sleeve Anchor or 3/8" SMS/Self Drilling Screw/UNC Bolt	8" max. from sill, 4" max. from head rabbet, and 18" max. on center.
Up to and including 4'0" x 8'0"	Welded to Building Structure	Must weld on both faces of the frame at each location. 12" max. from sill, 10" max. from head rabbet, and 24" max. on center.
Up to and including 4'0" x 8'0"	Welded 12 Ga. Masonry "T" Anchor	8" max. from sill, 6" max. from head rabbet, and 24" max. on center.
Up to and including 3'0" x 7'0"	Wire Masonry Anchor	12" max. from sill, 10" max. from head rabbet, and 18" max. on center.
Greater than 3'0" x 7'0" and up to and including 4'0" x 8'0"	Wire Masonry Anchor	12" max. from sill, 10" max. from head rabbet, and 12" max. on center.



REV	DESCRIPTION	DRWN	CHKD	DATE
0	ORIGINAL ISSUE	PM	DC	03/09/20
1	UPDATE TO FBC 8TH ED	PM	LT	12/19/23

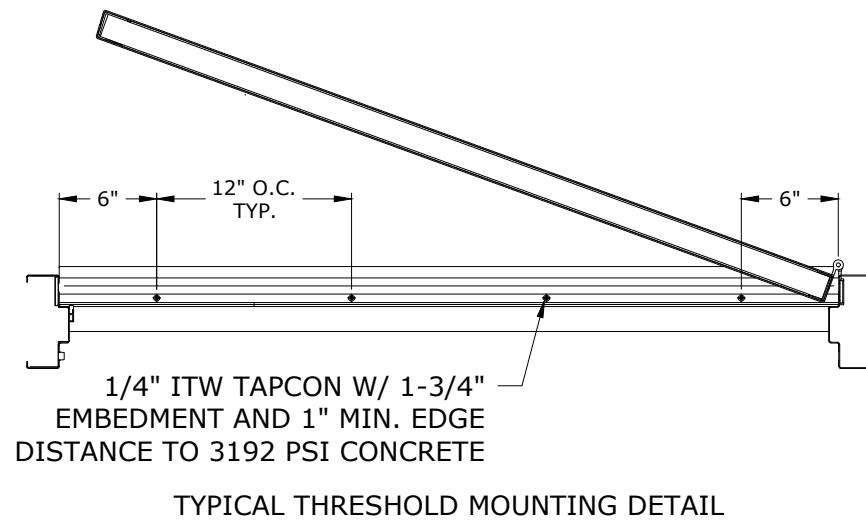
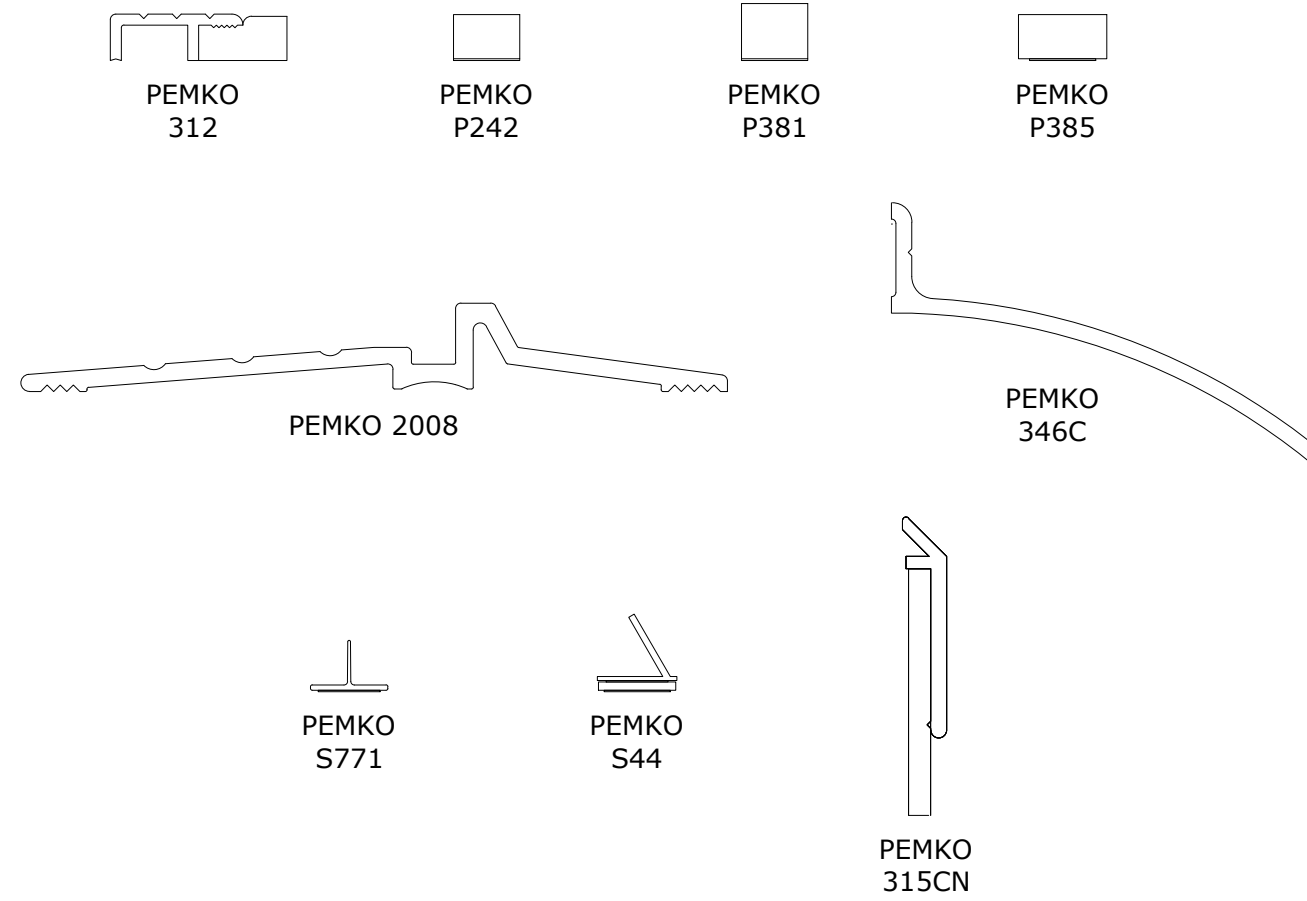
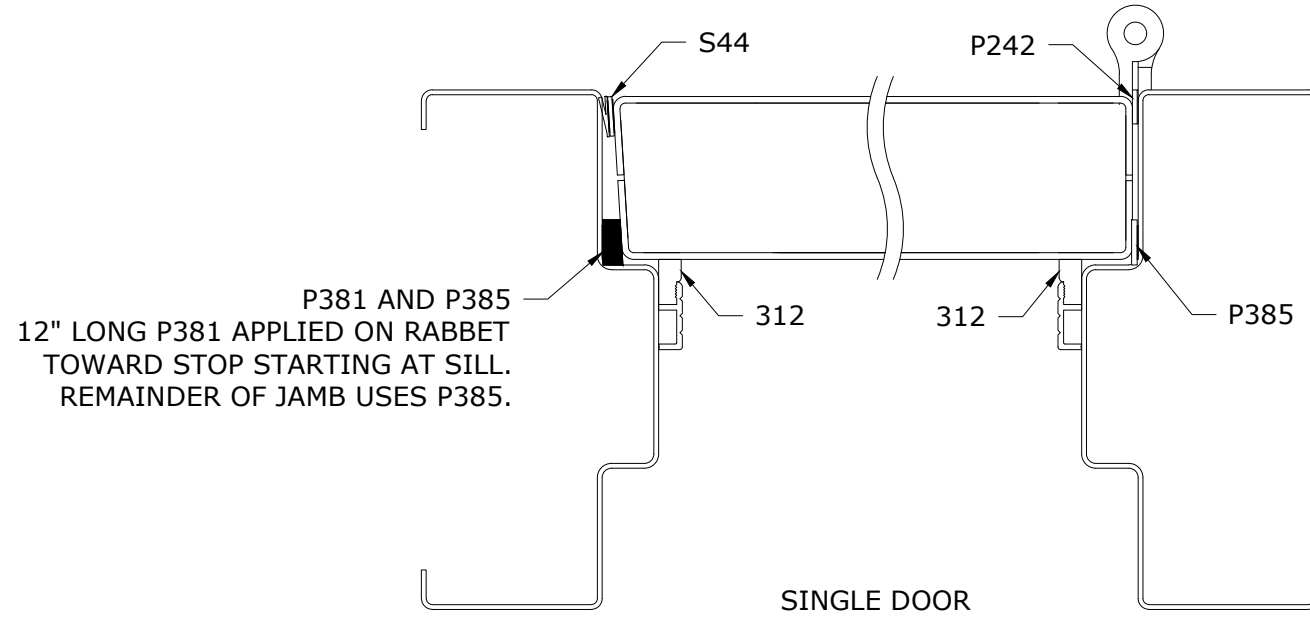
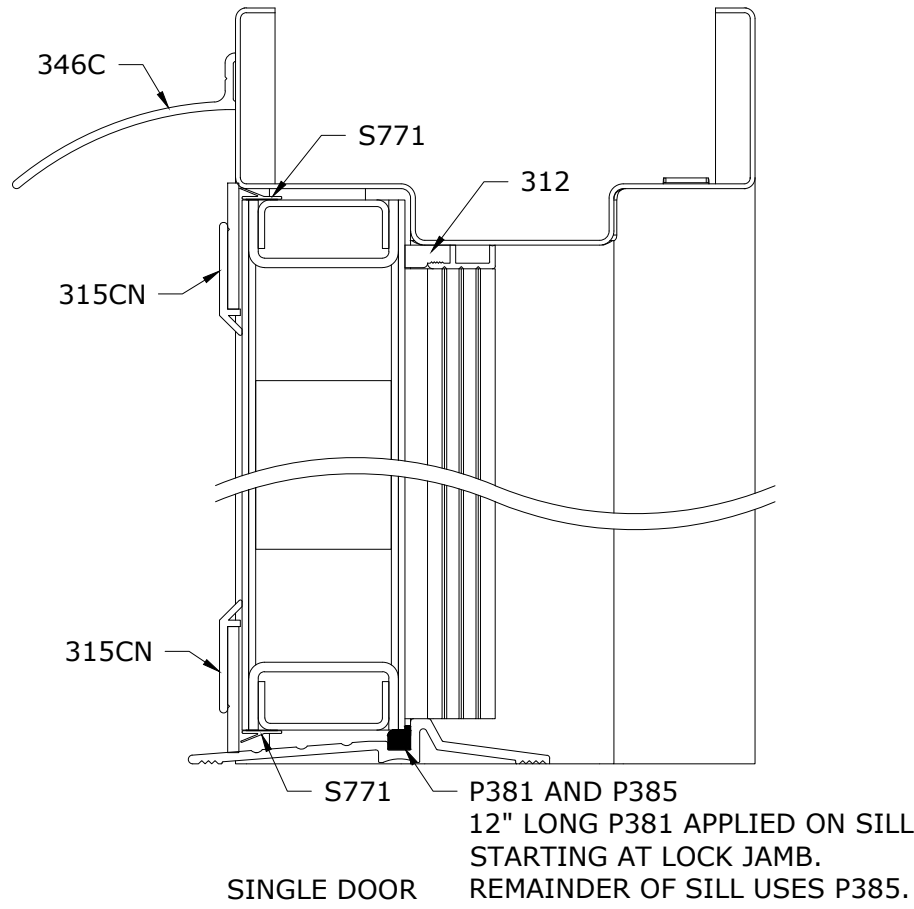
SCALE: NTS UNLESS NOTED  
 DWG #: RD1528  
 SHEET: 4 OF 6

THE INFORMATION CONTAINED IN THIS DRAWING IS THE SOLE PROPERTY OF CECO DOOR PRODUCTS. ANY REPRODUCTION IN PART OR AS A WHOLE WITHOUT THE WRITTEN PERMISSION OF CECO DOOR PRODUCTS IS PROHIBITED.

# CECO DOOR FLUSH SINGLE DOORS

PRODUCTS ILLUSTRATED IN THIS DOCUMENT ARE QUALIFIED FOR LARGE AND SMALL MISSILE IMPACT. LARGE MISSILE IMPACT IS 9 LB 2 X 4 AT 80 FEET PER SECOND OR 895 FT-LBS. (MISSILE LEVEL E)  
 PRODUCT MEETS REQUIREMENTS OF THE HIGH VELOCITY HURRICANE ZONE.

PEMKO WEATHERSTRIP USED ON CECO DOORS AND FRAMES WHERE WATER INFILTRATION IS REQUIRED.



Experience a safer and more open world

**CECO DOOR PRODUCTS**  
 DIV OF ASSA ABLOY DOOR GROUP LLC  
 9159 TELECOM DRIVE  
 MILAN, TN 38358

COMMERCIAL STEEL EXTERIOR DOOR ASSEMBLIES  
 FLUSH SINGLE DOORS  
 FBC EIGHTH EDITION (2023) FLORIDA PRODUCT APPROVAL #32083.2

REV	DESCRIPTION	DRWN	CHKD	DATE
0	ORIGINAL ISSUE	PM	DC	03/09/20
1	UPDATE TO FBC 8TH ED	PM	LT	12/19/23

SCALE: NTS UNLESS NOTED  
 DWG #: RD1528  
 SHEET: 5 OF 6

THE INFORMATION CONTAINED IN THIS DRAWING IS THE SOLE PROPERTY OF CECO DOOR PRODUCTS. ANY REPRODUCTION IN PART OR AS A WHOLE WITHOUT THE WRITTEN PERMISSION OF CECO DOOR PRODUCTS IS PROHIBITED.



**GENERAL NOTES**

1. THE SYSTEM DESCRIBED HEREIN HAS BEEN DESIGNED AND TESTED IN ACCORDANCE WITH THE FLORIDA BUILDING CODE EIGHTH EDITION (2023), FOR USE WITHIN AND OUTSIDE THE HIGH VELOCITY HURRICANE ZONE, PER TAS 201 / 202 / 203 STANDARDS. LARGE MISSILE IMPACT IS QUALIFIED FOR MISSILE LEVEL E.
2. NO 33-1/3% INCREASE IN ALLOWABLE STRESS HAS BEEN USED IN THE DESIGN OF THIS SYSTEM.
3. POSITIVE AND NEGATIVE DESIGN PRESSURES CALCULATED FOR USE WITH THIS SYSTEM SHALL BE DETERMINED PER SEPARATE ENGINEERING IN ACCORDANCE WITH THE GOVERNING CODE. DESIGN PRESSURE REQUIREMENTS AS DETERMINED IN ACCORDANCE WITH ASCE 7-22 AND OF THE FLORIDA BUILDING CODE SHALL BE LESS THAN OR EQUAL TO THE POSITIVE OR NEGATIVE DESIGN PRESSURE CAPACITY VALUES LISTED HEREIN FOR ANY ASSEMBLY AS SHOWN.
4. DESIGN PRESSURES NOTED HEREIN ARE BASED ON MAXIMUM TESTED PRESSURES DIVIDED BY A 1.5 SAFETY FACTOR.
5. THE SYSTEM DETAILED HEREIN IS GENERIC AND DOES NOT PROVIDE INFORMATION FOR A SPECIFIC SITE. FOR SITE CONDITIONS DIFFERENT FROM THE CONDITIONS DETAILED HEREIN, A LICENSED ENGINEER OR REGISTERED ARCHITECT SHALL PREPARE SITE SPECIFIC DOCUMENTS FOR USE IN CONJUNCTION WITH THIS DOCUMENT.
6. THE ADEQUACY OF THE EXISTING STRUCTURE TO WITHSTAND SUPERIMPOSED LOADS IS OUTSIDE THE SCOPE OF THIS CERTIFICATION AND SHALL BE VERIFIED BY OTHERS. OPTIONAL WOOD BUCKS (BY OTHERS) SHALL BE ANCHORED PROPERLY TO TRANSFER LOADS TO THE EXISTING STRUCTURE.
7. ALL ALUMINUM SHALL BE 6063-T6 ALLOY AND TEMPER UNLESS OTHERWISE NOTED.
8. ALL COLD ROLLED STEEL SHALL BE A568/A568M AND ALL STAINLESS STEEL SHALL BE ASTM A480/A480M, UNLESS OTHERWISE NOTED.
9. HARDWARE SHALL BE INSTALLED PER MANUFACTURERS' INSTRUCTIONS.
10. ALL BOLTS AND WASHERS (EXCLUDING INSTALLATION ANCHORS) SHALL BE ZINC COATED STEEL, GALVANIZED STEEL, OR STAINLESS STEEL WITH A MINIMUM TENSILE STRENGTH OF 60 KSI, U.O.N.
11. PLASTIC COMPONENTS USED WITHIN THE HVHZ MUST MEET ALL APPLICABLE FIRE/SMOKE/UV PERFORMANCE REQUIREMENTS AS SET FORTH IN THE ABOVE-NOTED BUILDING CODE AND SHALL BE SUBMITTED TO THE AUTHORITY HAVING JURISDICTION FOR REVIEW AS REQUIRED.
12. ALL DISSIMILAR MATERIALS SHALL BE PAINTED, PLATED, OR OTHERWISE PROTECTED FROM CORROSION. ALL WOOD SHALL BE PROTECTED FROM EXPOSURE AND FROM CONTACT WITH DISSIMILAR MATERIALS.
13. EXCEPT AS EXPRESSLY PROVIDED HEREIN, NO ADDITIONAL CERTIFICATIONS OR AFFIRMATION ARE INTENDED.
14. ALTERATIONS, ADDITIONS, HIGHLIGHTING, OR OTHER MARKINGS TO THIS DOCUMENT ARE NOT PERMITTED AND INVALIDATE THIS CERTIFICATION.
15. PRODUCT SHALL BE PERMANENTLY LABELED WITH A MINIMUM OF ONE LABEL PER SYSTEM CONTAINING ONE OF THE FOLLOWING:

**DOOR:**

UL CLASSIFIED LOGO  
 UL ASSIGNED FILE NUMBER (R27575)  
 COMPLIMENTARY CLASSIFICATION (EXTERIOR SWINGING DOOR)  
 IMPACT RATING  
 DESIGN LOAD RATING  
 CLASSIFIED IN ACCORDANCE WITH ASTM E330/E330M, ASTM E1886, ASTM E1996, TAS-201, TAS-202, TAS-203

**FRAME:**

UL CLASSIFIED LOGO  
 UL ASSIGNED FILE NUMBER (R27576)  
 COMPLIMENTARY CLASSIFICATION (DOOR FRAME)  
 IMPACT RATING  
 DESIGN LOAD RATING  
 CLASSIFIED IN ACCORDANCE WITH ASTM E330/E330M, ASTM E1886, ASTM E1996, TAS-201, TAS-202, TAS-203

**ADDITIONAL FRAME INFORMATION**

1. BUILDING WALLS MUST BE DESIGNED TO SUPPORT AND SUSTAIN LOADS DEVELOPED BY THE DOOR AND FRAME ASSEMBLY AND TRANSFER LOADS TO THE BUILDING STRUCTURE.
2. ROUGH OPENING MATERIAL, BY OTHERS, MUST BE INSTALLED PROPERLY TO TRANSFER LOADS TO THE BUILDING STRUCTURE.
3. ANCHORING OR LOADING CONDITIONS NOT SHOWN IN THESE DETAILS ARE NOT PART OF THIS APPROVAL.
4. ANCHOR EMBEDMENT TO BASE MATERIAL SHALL BE BEYOND WALL DRESSING OR STUCCO.
5. WOOD DENSITY, G = 0.55.
6. ANCHORS SHALL BE AS LISTED AND SPACED AS SHOWN IN THE TABLE FOR EACH GROUP OF PRODUCTS.
7. SUBSTITUTION OF COMPONENTS MUST BE IN COMPLIANCE WITH THE CURRENT FLORIDA BUILDING CODE.
8. IT IS RECOMMENDED THAT THE GAUGE OF THE FRAME BE EQUAL TO OR GREATER THAN THAT OF THE DOOR.

**ADDITIONAL WEATHERSTRIPPING INFORMATION**

WHERE WATER INFILTRATION IS NOT REQUIRED, THE FOLLOWING PEMKO WEATHERSTRIP MAY BE USED.

**PERIMETER SEALS:**

18041NB, 18061NB, 18062NB, 18100NB, 18137NB, 18175NB, 18250NB, 18400NB, 18950NB, 283200NB, 285PK, 285R, 2891PK, 2891S, 2891V, 2892V, 2893V, 2902V, 2903V, 290PK, 290S, 290V, 293100NB, 29310NB, 29310P, 29310PK, 29310S, 29310V, 29313PK, 29324NB, 29326NB, 29344NB, 29346NB, 29366NB, 294V, 296PK, 296R, 296S, 297PK, 297S, 297V, 303PK, 303S, 303V, 305R, 305S, 306Q, 306V, 309P, 312R, 315BR, 315CN, 315SSR, 316PK, 316S, 316V, 319N, 319R, 319S, 321N, 322N, 322PK, 322SN, 322SPK, 329N, 330ES, 330V, 332R, 332S, 332SSR, 3452NB, 345NB, 35041NB, 35061NB, 350PK, 350R, 350SPK, 350SR, 368N, 375R, 379PK, 379R, 379S, 45041NB, 45061NB, 45062NB, 45100NB, 45137NB, 45175NB, 45250NB, 45400NB, 5041NB, 5061NB, 90062NB, 90100NB, 90137NB, AM44, AM88, P242, P261, P266, P381, P385 PF114, PK33, PK52, PK55, Q102, Q103, Q106, Q107, Q108, S104, S105, S109, S44, S442, S52, S77, S771x6, S773, S776, S88, S99

**THRESHOLDS:**

2005, 2008, 2705\_T, 2715, 2716, P255



Experience a safer and more open world

**CECO DOOR PRODUCTS**

DIV OF ASSA ABLOY DOOR GROUP LLC  
 9159 TELECOM DRIVE  
 MILAN, TN 38358

COMMERCIAL STEEL EXTERIOR DOOR ASSEMBLIES  
 FLUSH SINGLE DOORS

FBC EIGHTH EDITION (2023) FLORIDA PRODUCT APPROVAL #32083.2

REV	DESCRIPTION	DRWN	CHKD	DATE
0	ORIGINAL ISSUE	PM	DC	03/09/20
1	UPDATE TO FBC 8TH ED	PM	LT	12/19/23

THE INFORMATION CONTAINED IN THIS DRAWING IS THE SOLE PROPERTY OF CECO DOOR PRODUCTS. ANY REPRODUCTION IN PART OR AS A WHOLE WITHOUT THE WRITTEN PERMISSION OF CECO DOOR PRODUCTS IS PROHIBITED.